

BAKERY PLANT, TRAILER-MOUNTED, M-1945: (CHASSIS, TRAILER:

**2 1/2-TON, 2-WHEEL, M537 USED WITH
BAKERY OVEN, M533)**

REFERENCE: L010-7360-201-20-1,-2.-3.-4,-5. C9100-IL

Approved for public release; distribution is unlimited.

Intervals are based on normal operation. Reduce to compensate for abnormal operation and severe conditions. During inactive periods, sufficient lubrication must be performed for adequate preservation.

Relubricate after washing or fording..

Clean fittings before lubricating.

Clean parts with SD (Solvent, drycleaning).

Dry before lubricating.

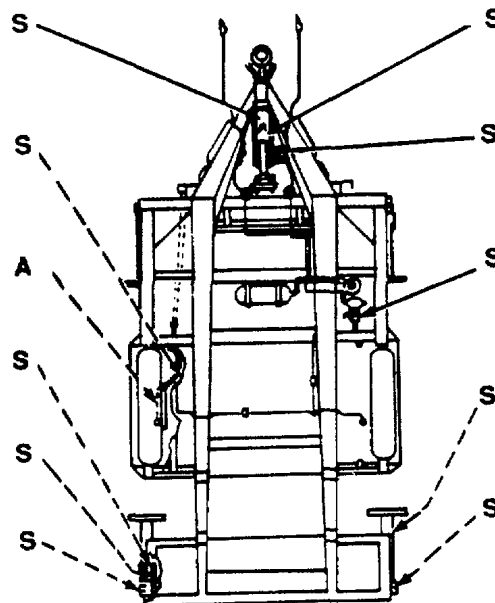
Broken arrow shafts indicate lubrication points on both sides of the equipment

LUBRICANT · INTERVAL

Retractable Support Bracket and Spindle Assembly (See Note 1)	GAA
Handbrake Flexible Control Link Cable (See Note 9)	GAA
Wheel Bearings (Remove, Clean and Pack) (See Note 7)	GAA
Leveling Jack Swivel Lock Pin (See Note 3)	OE
Leveling Jack Swivel (See Note 4)	OE
Leveling Jack Screw (See Note 5)	GAA

INTERVAL · LUBRICANT

GAA	Retractable Support Gear and Bearing (See Note 1)
GAA	Retractable Support Shaft Screw (See Note 1)
HBA	Master Cylinder (Fill to 1/2 Inch From Top) (Capacity: 1 pint) (See Note 8)
OE	Leveling Jack Inner Tube (See Note 2)
GAA	Leveling Jack Gear and Bearing (See Note 5)



- KEY -

LUBRICANTS	EXPECTED TEMPERATURES	INTERVALS
	ALL TEMPERATURES	
OE - LUBRICATING OIL, Internal Combustion Engine	OE 30 OR 9250	W-Weekly M - Monthly Q -Quarterly S-Semi-annually A - Annually
GAA - GREASE, Automotive and Artillery	GAA	
HBA - BRAKE FLUID, Automotive	HBA	

NOTES:

1. RETRACTABLE SUPPORT. Semiannually lubricate. Do not over lubricate.
2. LEVELING JACK INNER TUBE. Semiannually extend inner tube fully and lubricate. There are four leveling jacks on the trailer chassis.
3. LEVELING JACK SWIVEL LOCK PIN. Semiannually pull lock pin out, lubricate, and work lock pin in and out to coat all surfaces.
4. LEVELING JACK SWIVEL. Semiannually lubricate the swivel, and move it back and forth to coat all surfaces.

5. LEVELING JACK SCREW AND GEAR AND BEARING. Semiannually lubricate. Do not over lubricate
6. OIL CAN POINTS. Semiannually clean and lightly lubricate handbrake, lever assemblies. linkages, brackets, hinges, and latches with OE.
7. WHEEL BEARINGS. Annually remove, clean and pack.
8. MASTER CYLINDER. Semiannually check fluid level. Fill to 1/2 inch from top.
9. HANDBRAKE FLEXIBLE CONTROL LINK CABLE. Lubricate semiannually.

Copy of this Lubrication Order will remain with the equipment at all times; instructions contained herein are mandatory.

By Order of the Secretary of the Army:

CARL E. VUONO
General, United States Army
Chief of Staff

Official:

THOMAS F. SIKORA
Brigadier General, United States Army
The Adjutant General

DISTRIBUTION:

To be distributed in accordance with DA Form 12-25E, (Qty rqr blk no. 4099).

RECOMMENDED CHANGES TO EQUIPMENT TECHNICAL PUBLICATIONS



THEN...JOT DOWN THE DOPE ABOUT IT ON THIS FORM. CAREFULLY TEAR IT OUT, FOLD IT AND DROP IT IN THE MAIL.

SOMETHING WRONG WITH PUBLICATION

FROM: (PRINT YOUR UNIT'S COMPLETE ADDRESS)

DATE SENT

PUBLICATION NUMBER

PUBLICATION DATE

PUBLICATION TITLE

BE EXACT PIN-POINT WHERE IT IS

IN THIS SPACE, TELL WHAT IS WRONG AND WHAT SHOULD BE DONE ABOUT IT.

PAGE NO.	PARA-GRAPH	FIGURE NO.	TABLE NO.

PRINTED NAME, GRADE OR TITLE AND TELEPHONE NUMBER

SIGN HERE

PIN: 011971/000